

**Power Wheel<sup>®</sup>**  
Right Angle Drives

# Power Wheel®

## Right Angle Drives

Continuous Torque Rating<sup>1</sup>.....3,000 lb-in (340 Nm)  
 @540 rpm= 25.7 HP (19.2 kW)  
 @1000 rpm= 47.6 HP (35.5 kW)

<sup>1</sup>Contact Auburn Gear for intermittent torque rating.

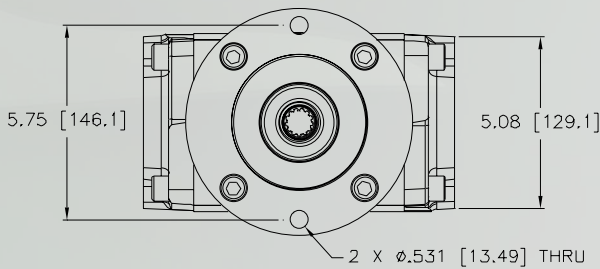
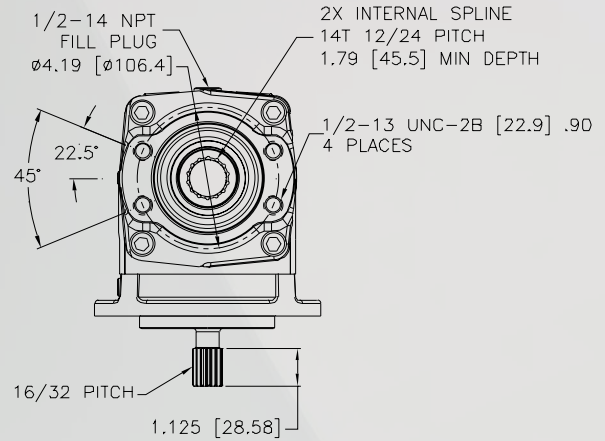
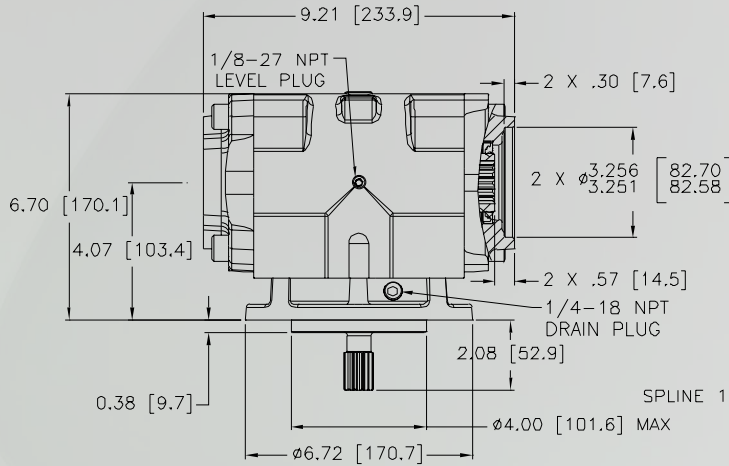
Approximate Weight.....50 lbs. (22.7 kg)

Oil Capacity<sup>2</sup>.....20 oz. (600 cc)

Max input speed<sup>3</sup>.....3,000 rpm

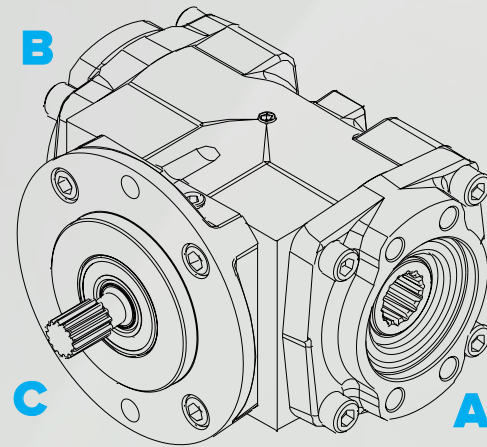
<sup>2</sup>Oil capacity for horizontal and shaft-down applications, for shaft-up applications, please contact Auburn Gear

<sup>3</sup>Contact Auburn Gear for input speeds above 3,000 rpm.



### Rotation Inputs & Outputs

A	B	C
CW	CCW	CCW
CCW	CW	CW



RA=Right Angle Drive

1:1 Ratio

RA

A414

1

B13

Inputs= SAE A, 4-bolt magneto mount, 14T 12/24 input spline

Output= SAE B, 13T 16/32 output

