



**Kit Assemblies
Power Wheel[®]
Planetary Gear Drive**

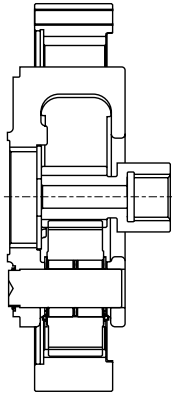
Kit Assemblies

What is a Power Wheel® “kit”...?

While one of the many complete **Power Wheel** units offered by Auburn Gear fits the majority of typical applications, Auburn Gear recognizes that many custom applications only require *part* of a unit. For that reason, virtually all **Power Wheel** models are available in customized “kits” made up to your specifications, and containing only those Power Wheel components necessary for your specific application.

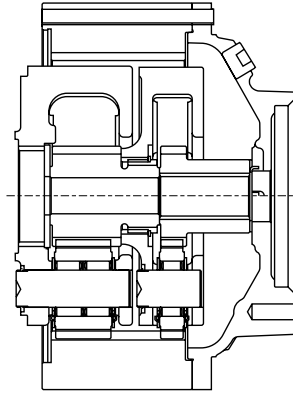
Below are examples that illustrate the flexibility of how a custom kit might be assembled to perform in your specific application. Typical applications for these and similar kits across the **Power Wheel** line include: conveyors, hoists, mixers and winches.

Call Auburn Gear for direct assistance in specifying your kit.



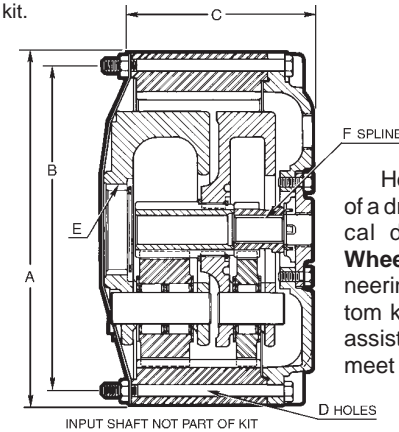
Single Reduction Example Kit

Here is a simple single reduction kit composed of the ring gear, the carrier assembly, sun gear and miscellaneous hardware. It is available in all combinations of input splines and gearing ratios. In this case, the cover, motor mount, input shaft, output options and mounting assemblies would be of the customer's own design, and provided by the customer.



Double Reduction Example Kit

Here's an example of a shaft output double reduction drive kit. It is basically complete, except for the hub assembly and the output shaft, both of which would be customer-supplied. Again, this kit would be available in all input spline and gear ratio options.



Example Kit

Here is a representative sample of a drive kit configuration with typical dimensions across **Power Wheel** model lines. Similar engineering data is available for all custom kits; contact Auburn Gear for assistance in assembling a kit to meet your specifications.

Dimension	Model 5	Model 6	Model 6	Model 6B	Model 7	Model 8	Model 8	Model 8B	Model 9	Model 10
Reduction Number of Stages	Single	Single	Double	Double	Double	Single	Double	Double	Double	Double
A	7.86 (199.6)	7.86 (199.6)	7.86 (199.6)	7.86 (199.6)	7.86 (199.6)	10.62 (269.8)	10.62 (269.8)	10.62 (269.8)	10.62 (269.8)	12.75 (323.9)
B Cover Side	▲7.310 (185.67)	7.310 (185.67)	7.310 (185.67)	7.310 (185.67)	7.310 (185.67)	▲9.875 (250.83)	▲9.875 (250.83)	▲9.875 (250.83)	▲9.875 (250.83)	▲11.750 (298.45)
B Hub Side		7.280 (184.91)	7.280 (184.91)	7.280 (184.91)	7.280 (184.91)					
C Wheel Drive Cover	N/A	3.42 (86.9)	5.02 (127.5)	5.72 (145.3)	5.72 (145.3)	N/A	5.22 (132.6)	6.02 (152.9)	6.02 (152.9)	5.52 (140.2)
C SAE "A" Mount Cover	3.46 (87.9)	3.46 (87.9)	5.06 (128.5)	5.76 (146.3)	5.76 (146.3)	N/A	N/A	N/A	N/A	6.39 (162.3)
C A2 Cover	3.46 (87.9)	3.46 (87.9)	5.06 (128.5)	5.76 (146.3)	5.76 (146.3)	N/A	N/A	N/A	N/A	N/A
C A4 Cover	4.90 (124.5)	4.90 (124.5)	N/A	N/A	N/A	5.01 (127.3)	6.99 (177.5)	7.79 (197.9)	7.79 (197.9)	6.39 (162.3)
C SAE "B" Mount Cover	3.46 (87.9)	3.46 (87.9)	5.06 (128.5)	5.76 (146.3)	5.76 (146.3)	3.70 (94.0)	5.68 (144.3)	6.48 (164.6)	6.48 (164.6)	6.64 (168.7)
C SAE "C" Mount Cover	5.02 (127.5)	5.02 (127.5)	6.62 (168.1)	7.32 (185.9)	7.32 (185.9)	4.92 (125.0)	6.90 (175.3)	7.70 (195.6)	7.70 (195.6)	6.84 (173.7)
D Cover Side #	8 Thru	8 Threaded	8 Threaded	8 Threaded	8 Threaded	12 Thru	12 Thru	12 Thru	24 Thru	12 Thru
D Cover Side Dia.	0.347 (8.81)	0.3125(7.938)-18UNC 2B	0.3125(7.938)-18UNC 2B	0.3125(7.938)-18UNC 2B	0.3125(7.938)-18UNC 2B	0.410 (10.41)	0.410 (10.41)	0.410 (10.41)	0.410 (10.41)	0.598 (15.19)
D Hub Side #		6 Threaded	12 Threaded	12 Threaded	18 Threaded					
D Hub Side Dia.		0.375(9.53)-24UNF 2B	0.375(9.53)-24UNF 2B	0.375(9.53)-24UNF 2B	0.375(9.53)-24UNF 2B					
E # of teeth	40	40	40	38	38	21	21	47	47	27
E Pitch	16/32	16/32	16/32	16/32	16/32	8/16	8/16	16/32	16/32	8/16
E Pitch Diameter	2.500 (63.50)	2.500 (63.50)	2.500 (63.50)	2.375 (60.33)	2.375 (60.33)	2.625 (66.68)	2.625 (66.68)	2.9375 (74.613)	2.9375 (74.613)	3.375 (85.73)
F # of teeth Wheel Drive	N/A	13	13	13	13	N/A	12	12	12	14
F Pitch	N/A	16/32	16/32	16/32	16/32	N/A	16/32	16/32	16/32	12/24
F Pitch Diameter	N/A	0.8125 (20.638)	0.8125 (20.638)	0.8125 (20.638)	0.8125 (20.638)	N/A	0.75 (19.1)	0.75 (19.1)	0.75 (19.1)	1.1667 (29.634)
F # of teeth Shaft Out	See Appropriate Model Catalog	See Appropriate Model Catalog	See Appropriate Model Catalog	See Appropriate Model Catalog	See Appropriate Model Catalog	See Appropriate Model Catalog	See Appropriate Model Catalog	See Appropriate Model Catalog	See Appropriate Model Catalog	See Appropriate Model Catalog
F Pitch	for Input Spline Availability	for Input Spline Availability	for Input Spline Availability	for Input Spline Availability	for Input Spline Availability	for Input Spline Availability	for Input Spline Availability	for Input Spline Availability	for Input Spline Availability	for Input Spline Availability
F Pitch Diameter										

▲ Thru Holes in Ring Gear



400 East Auburn Drive, Auburn, IN 46706-3499 • PH: (219) 925-3200 • FAX: (219) 925-4725 • E-mail: auburngear@mail.fwi.com • Web: http://www.auburngear.com